



 KEITH BAKER  
CONSTRUCTION

DESIGN SELECTIONS

554 CONN WAY

# KEITH BAKER PHILOSOPHY

Owned and operated by a third-generation builder and native to Vero Beach, Keith Baker Construction is built upon QUALITY, INTEGRITY AND EXCELLENCE.

Keith Baker Construction handles all phases of residential and commercial construction projects. KBC works closely with architects, engineers and subcontractors to build beautiful custom homes in a cost-effective manner. You can count on KBC to work with you as a single point of contact, providing comprehensive services from creating preliminary drawings all the way to project completion. At Keith Baker Construction, we always strive to deliver a construction project on time and within budget. When a client puts their trust in us to build their dream home, it is our duty to provide the very best.

*“Committed to Exceptional Quality and Customer Service.”*

## TABLE OF CONTENTS

1	INTRO	70	GUEST BATH 3
4	EXTERIOR	76	OFFICE
17	INTERIOR	77	MASTER BEDROOM
27	KITCHEN	78	GUEST BEDROOM 1
37	PANTRY	79	GUEST BEDROOM 2
39	LAUNDRY	80	DINING ROOM
43	MASTER BATH	82	GREAT ROOM
54	POWDER ROOM	84	DRY BAR
58	GUEST BATH 1		
64	GUEST BATH 2		

# DESIGN SELECTIONS

## MOOD BOARD



# DESIGN SELECTIONS

## BATHROOM MATERIAL BOARD

MASTER BATH



GUEST BATH 1



GUEST BATH 2



GUEST BATH 3

# DESIGN SELECTIONS

## KITCHEN MATERIAL BOARD



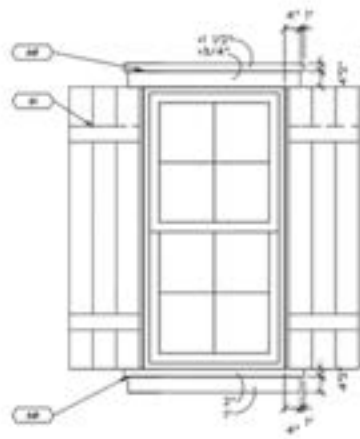
# DESIGN SELECTIONS

## EXTERIOR ELEVATIONS



**FRONT EXTERIOR ELEVATION**

SCALE: 1/4" = 1'-0"



**WINDOW DETAIL**

SCALE: 1/2" = 1'-0"

1  
A-5



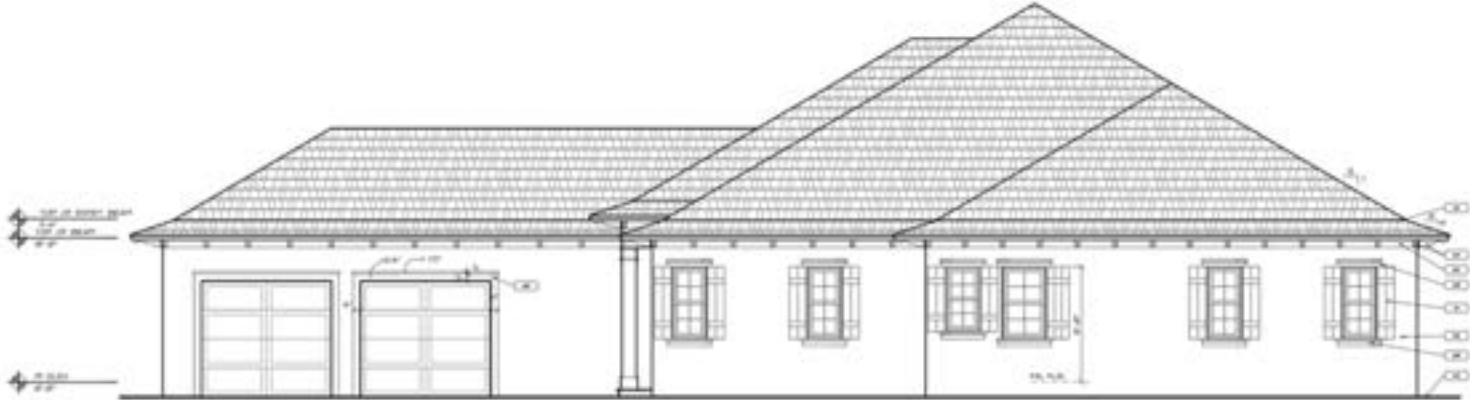
**COLUMN DETAIL**

SCALE: 3/8" = 1'-0"

1  
A-5

# DESIGN SELECTIONS

## EXTERIOR ELEVATIONS



RIGHT SIDE EXTERIOR ELEVATION

SCALE: 1/4" = 1'-0"



REAR EXTERIOR ELEVATION

SCALE: 1/4" = 1'-0"



# DESIGN SELECTIONS

## EXTERIOR RENDERINGS



NOTE: RENDERINGS ARE FOR PLANNING REFERENCE ONLY.  
ALL DIMENSIONS AND DETAILS SHOULD BE REVIEWED AND CONFIRMED ON SITE BEFORE COMPLETION.

# DESIGN SELECTIONS

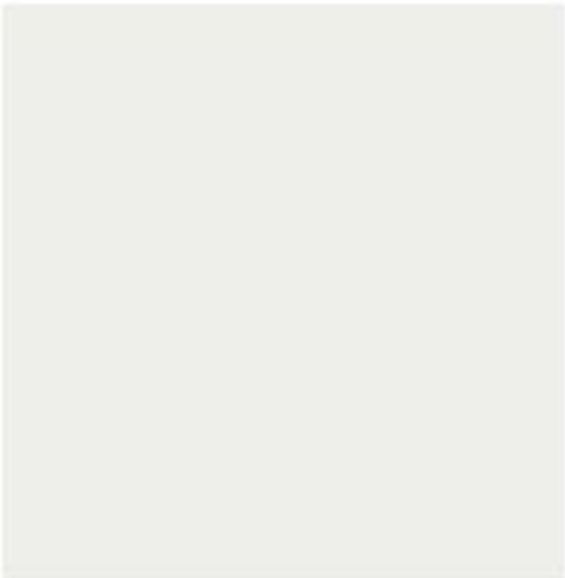
## EXTERIOR PAINT COLORS

BODY COLOR



SHERWIN WILLIAMS  
ALABASTER  
SW-7008  
FLAT

TRIM COLOR



SHERWIN WILLIAMS  
EXTRA WHITE  
SW-7006  
SATIN

SHUTTERS



SHERWIN WILLIAMS  
RAINWASHED  
SW-6211  
SATIN

# DESIGN SELECTIONS

## FRONT DOOR

FRONT DOOR STYLE



VERONA  
MAHOGNANY VENEER  
(2) 3'0" X 8'0" - 1 3/4" THICK

FRONT DOOR HARDWARE  
EXTERIOR



EMTEK HERCULES  
KNURLED FULL  
LENGTH TUBULAR  
ENTRY SET  
OIL RUBBED  
BRONZE

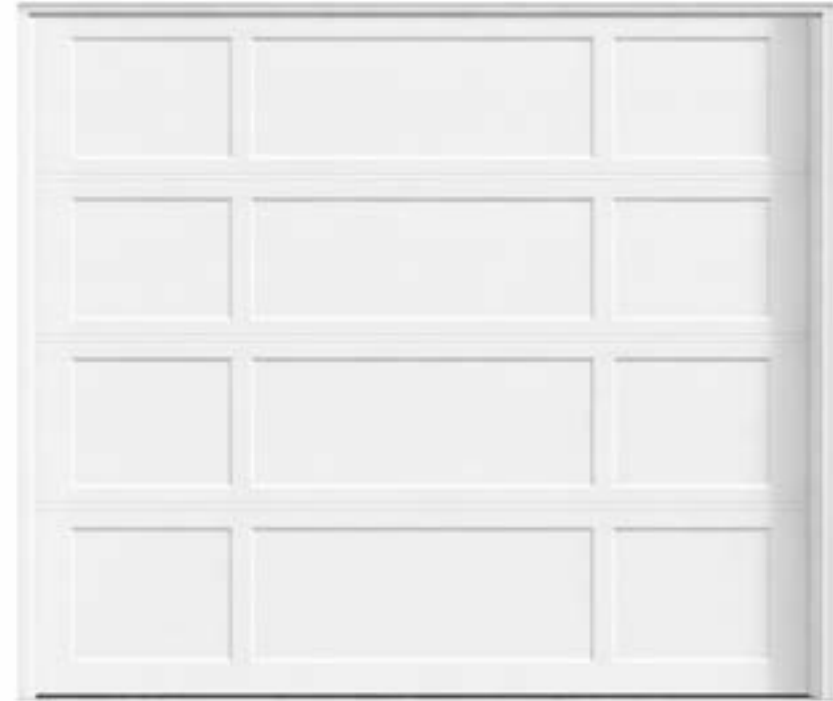
FRONT DOOR HARDWARE  
INTERIOR



EMTEK HELIOS  
HANDLE AND  
SQUARE KEYED  
DEADBOLT

# DESIGN SELECTIONS

## GARAGE DOORS



TWO SINGLE IMPACT RATED GARAGE DOORS  
9'0" X 8'0" EACH

SIDE DOOR STYLE



IMPACT RATED  
FIBERGLASS

EXTRA WHITE  
SW-7006 SATIN

2'8" X 8'0"

SIDE DOOR HARDWARE  
INTERIOR/EXTERIOR



EMTEK  
SQUARE KEYED DEADBOLT  
EMTEK HELIOS PRIVACY DOOR  
LEVER SET WITH SQUARE ROSE

OILED BRONZE

# DESIGN SELECTIONS

## EXTERIOR DOORS - SLIDING GLASS DOOR



VIWINCO OCEAN VIEW 650 DOOR - 4 PANELS

WHITE / IMPACT

18'0" X 8'0"

# DESIGN SELECTIONS

## EXTERIOR - WINDOWS

### WINDOW STYLES



VIWINCO  
OCEAN VIEW / IMPACT RATED  
WHITE

### SHUTTER STYLES



FRAMELESS TONGUE & GROOVE  
COLONIAL SHUTTERS  
RAINWASHED  
SW-6211 SATIN

# DESIGN SELECTIONS

## EXTERIOR - MATERIALS & FIXTURES



QUOIZEL WESTOVER 20" TALL OUTDOOR WALL SCENCE  
MODEL: WVR8407WT



ROOFING MATERIAL  
STANDING SEAM  
SNAP LOCK  
SLATE GREY



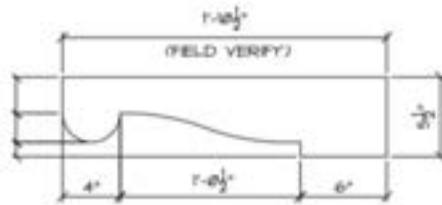
DRIVEWAY MATERIAL  
CONCRETE WITH  
PAVER BOARDER



LANAI & POOL DECKING  
SHELL REEF TUMBLED  
LIMESTONE PAVERS  
16" X 24"



WOODEN FASCIA



WOODEN EXPOSED  
RAFTER TAILS



WOODEN SOFFIT



FRONT PORCH CEILING  
TONGUE AND  
GROOVE 1X6  
CYPRESS

# DESIGN SELECTIONS

## LANAI RENDERINGS



NOTE: RENDERINGS ARE FOR PLANNING REFERENCE ONLY.  
ALL DIMENSIONS AND DETAILS SHOULD BE REVIEWED AND CONFIRMED ON SITE BEFORE COMPLETION.

# DESIGN SELECTIONS

## LANAI - MATERIALS & FIXTURES



COYOTE OUTDOOR GRILL  
C3CL36LP  
36" CL-SERIES



ZEPHYR VENTILATION  
AK7842CS  
42" CYPRESS



GRILL BACKSPLASH  
8X8X3/8 ASTER BLUE  
PORCELAIN MATTE



DECKING  
SHELL REEF TUMBLED  
LIMESTONE PAVERS  
16"X24"



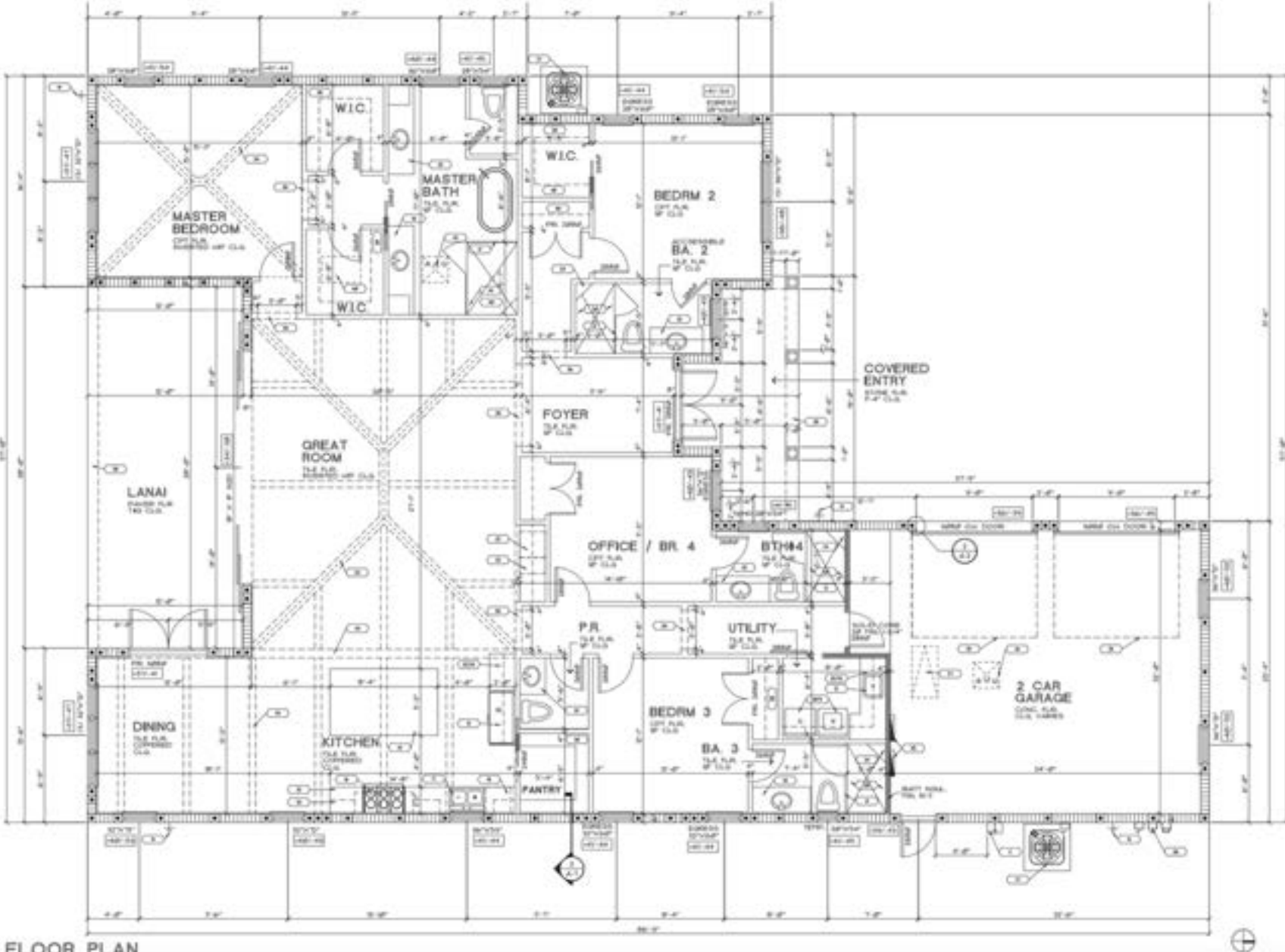
CEILING  
TONGUE AND  
GROOVE 1'X6'  
CYPRESS



FAN  
COLLINS COASTAL SMART  
52" CEILING FAN  
(2)

# DESIGN SELECTIONS

## INTERIOR FLOOR PLAN

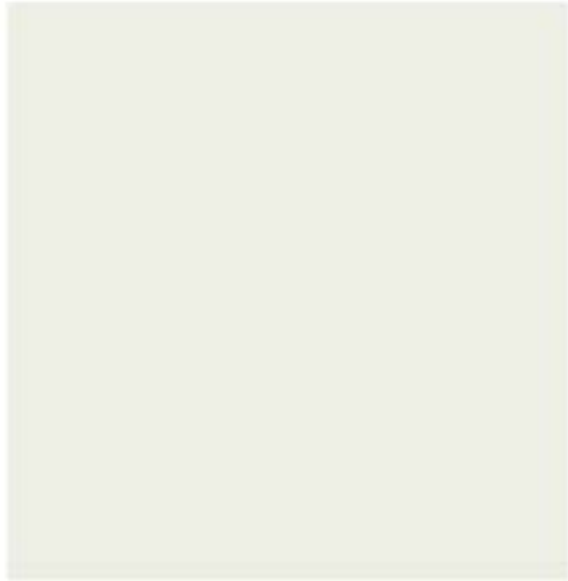


FLOOR PLAN

# DESIGN SELECTIONS

## INTERIOR - PAINT COLORS

### INTERIOR WALLS



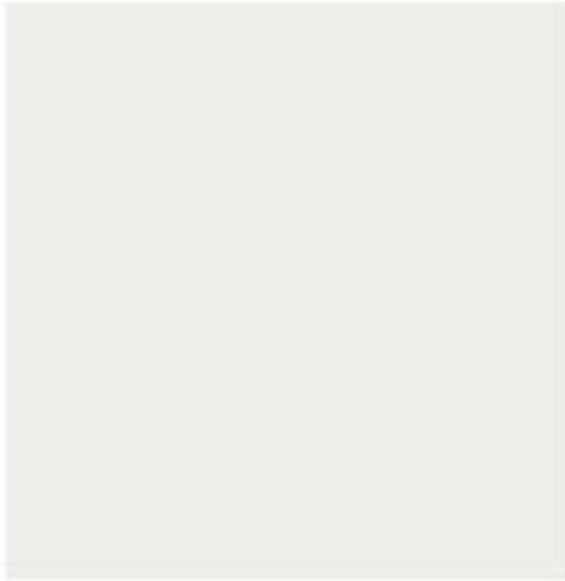
BENJAMIN MOORE  
WHITE DOVE  
OC-17  
FLAT

### INTERIOR TRIM



BENJAMIN MOORE  
WHITE DOVE  
OC-17  
SATIN

### INTERIOR CEILING



SHERWIN WILLIAMS  
EXTRA WHITE  
SW-7006  
DEAD FLAT

# DESIGN SELECTIONS

## WHOLE HOUSE - HARDWOOD FLOORING

FLOORING



4MM WHITEWASH EUROPEAN OAK ENGINEERED  
HARDWOOD FLOORING 7.5" PLANKS  
COLOR: DOVER



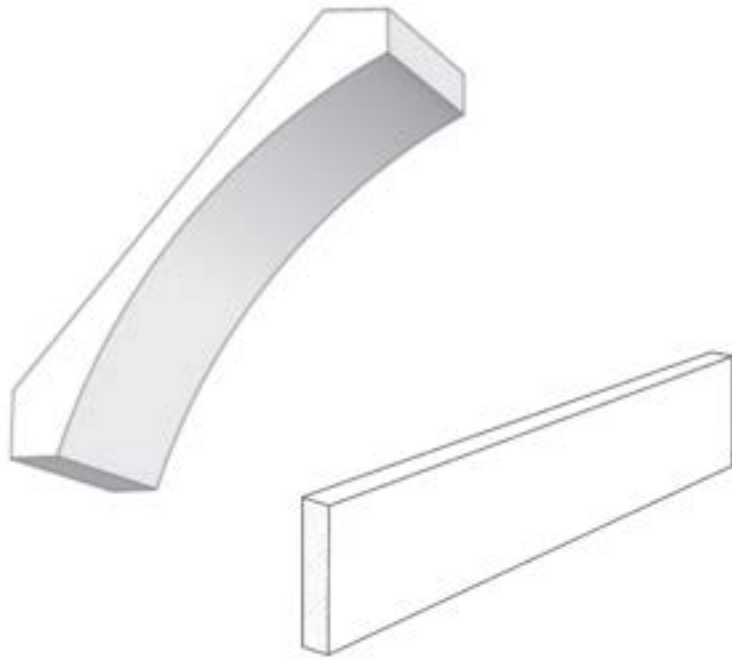
FOYER



WHOLE HOUSE WOOD  
PLANKS WITH LIMESTONE

# DESIGN SELECTIONS

## WHOLE HOUSE - CROWN MOLDING



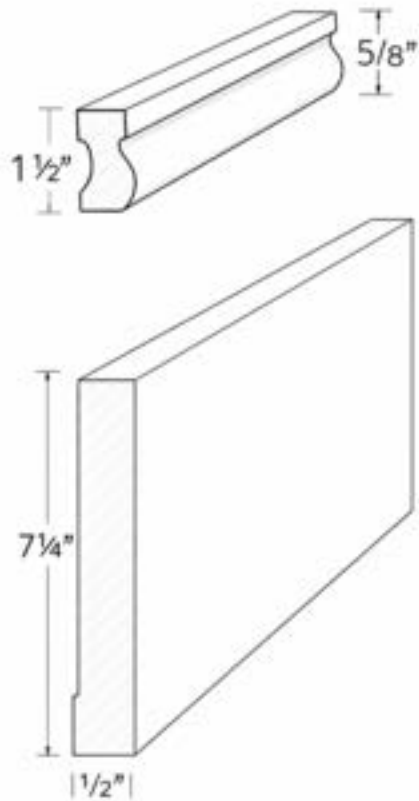
7 1/4" COVE CROWN  
WITH FLATSTOCK



BENJAMIN MOORE  
WHITE DOVE  
OC-17  
SATIN FINISH

# DESIGN SELECTIONS

## WHOLE HOUSE - BASEBOARD MOLDING



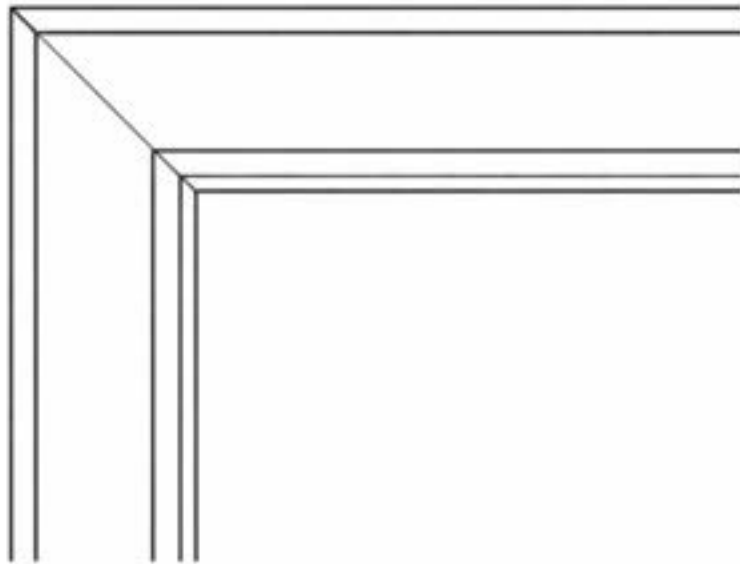
7 1/4" WOOD BASEBOARD  
WITH TRIM



BENJAMIN MOORE  
WHITE DOVE  
OC-17  
SATIN FINISH

# DESIGN SELECTIONS

## WHOLE HOUSE - DOOR CASING



TWO PIECE WOOD CASING



BENJAMIN MOORE  
WHITE DOVE  
OC-17  
SATIN FINISH

# DESIGN SELECTIONS

## WHOLE - INTERIOR DOORS

### DOOR STYLE



RAISED TWO PANEL  
SOLID WOOD  
30" OR 32" X 96"

### DOOR HARDWARE



EMTEK HELIOS PRIVACY DOOR  
LEVER SET WITH SQUARE ROSE  
POLISHED NICKEL



DOOR STOP  
3" POLISHED NICKEL

### DOOR COLOR



BENJAMIN MOORE  
WHITE DOVE  
OC-17  
SATIN FINISH

# DESIGN SELECTIONS

## WHOLE HOUSE - OUTLETS AND SWITCHES



LUTRON  
DIVA LED+ DIMMER  
MODEL # DVCL-  
153P-WH  
WHITE



LEVITON  
15-AMP 120/277-VOLT,  
DECORA ROCKER  
SINGLE-POLE AC  
QUIET SWITCH, 5601-2  
SKU: 05601-072-02W  
WHITE



LEVITON  
15-AMP 125-VOLT,  
TAMPER RESISTANT,  
DECORA DUPLEX  
RECEPTACLE,  
GROUNDING, T5325  
SKU: T5325-205-00W  
WHITE

# DESIGN SELECTIONS

## WHOLE HOUSE - HVAC



RUUD ENDEVOR LINE PLUS SERIES CONDENSER WITH HEAT PUMP RP15AZ



RUUD ENDEVOR LINE AIR HANDLER RH2TY CONSTANT TORQUE MOTOR TWO-STAGE AIRFLOW REFRIGERANT TYPE: R-454B



HONEYWELL HOME SILVER SMART COMPATIBLE THERMOSTAT WITH WI-FI COMPATIBILITY



AC VENT STYLE



RETURN VENT STYLE

# DESIGN SELECTIONS

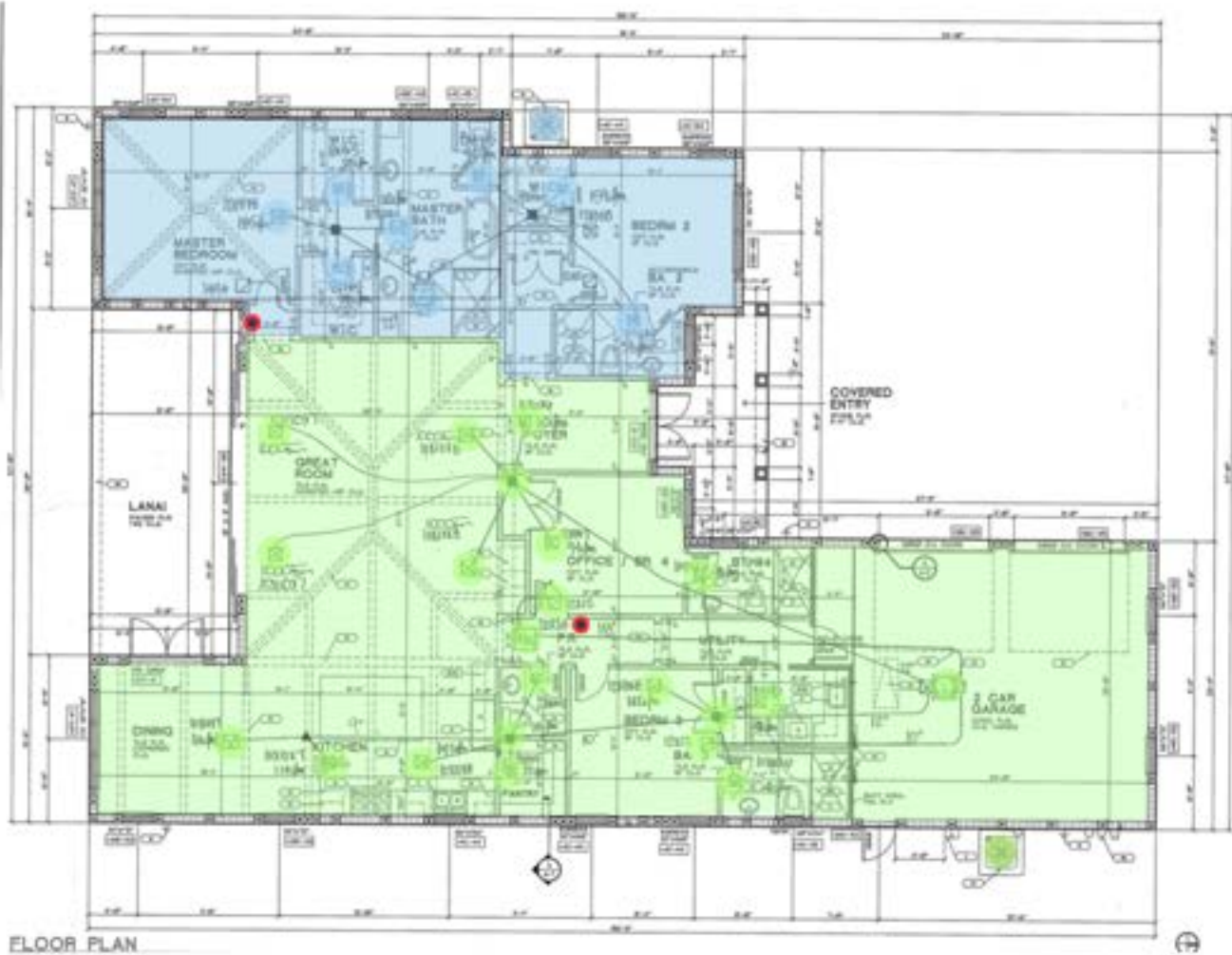
## WHOLE HOUSE - HVAC MAP

### AC ZONES

ZONE 1

ZONE 2

PREFERRED THERMOSTAT PLACEMENTS



# DESIGN SELECTIONS

## KITCHEN - RENDERING



NOTE: RENDERINGS ARE FOR PLANNING REFERENCE ONLY.  
ALL DIMENSIONS AND DETAILS SHOULD BE REVIEWED AND CONFIRMED ON SITE BEFORE COMPLETION.

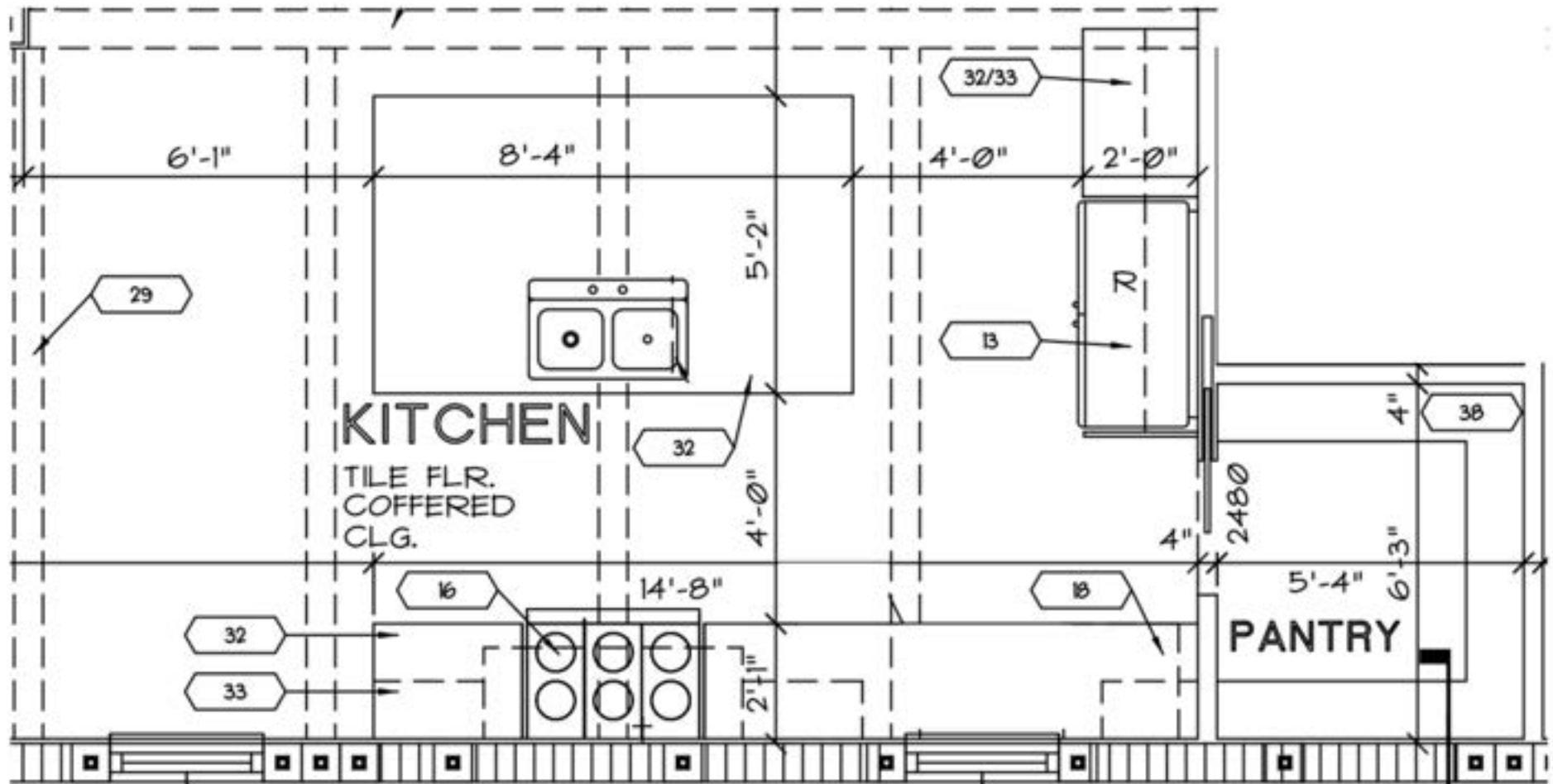
# DESIGN SELECTIONS

## KITCHEN SKETCH



NOTE: ELEVATIONS ARE FOR PLANNING REFERENCE ONLY.  
ALL DIMENSIONS AND LOCATIONS SHOULD BE REVIEWED AND CONFIRMED ON SITE BEFORE COMPLETION.

## KITCHEN - FLOOR PLAN

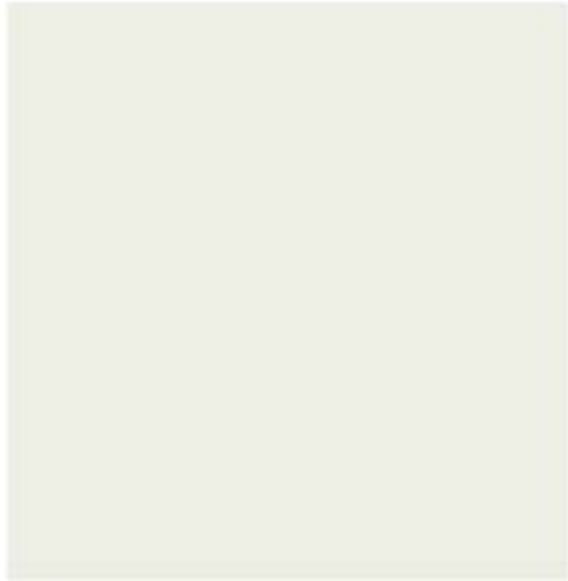


NOTE: ELEVATIONS ARE FOR PLANNING REFERENCE ONLY.  
ALL DIMENSIONS AND LOCATIONS SHOULD BE REVIEWED AND CONFIRMED ON SITE BEFORE COMPLETION.

# DESIGN SELECTIONS

## KITCHEN - OPTION 1 PAINT COLORS

KITCHEN CABINETS



BENJAMIN MOORE  
WHITE DOVE  
OC-17

KITCHEN ISLAND CABINETS



BENJAMIN MOORE  
WHITE DOVE  
OC-17

COUNTERS



MYSTERY WHITE  
QUARTZ

# DESIGN SELECTIONS

## KITCHEN - DETAILS



PAINTED SHAKER STYLE CABINETS  
PLYWOOD BOXES, HARDWOOD FACE FRAMES,  
AND PAINTED FRONTS



DOVETAIL DRAWERS  
SOFT CLOSE HINGES AND GLIDES

# DESIGN SELECTIONS

## KITCHEN - OPTION 2 PAINT COLORS

KITCHEN CABINETS



BENJAMIN MOORE  
WHITE DOVE  
OC-17

KITCHEN ISLAND CABINETS



BENJAMIN MOORE  
BACKWOODS GREEN  
469

COUNTERS



MYSTERY WHITE  
QUARTZ

## KITCHEN - DETAILS



PAINTED SHAKER STYLE CABINETS  
PLYWOOD BOXES, HARDWOOD FACE FRAMES,  
AND PAINTED FRONTS



DOVETAIL DRAWERS  
SOFT CLOSE HINGES AND GLIDES

# DESIGN SELECTIONS

## KITCHEN - COUNTERTOPS & BACKSPLASH



COUNTERTOPS  
MYSTERY WHITE  
QUARTZ



BACKSPLASH  
MYSTERY WHITE  
QUARTZ



TYPE OF EDGE  
1 1/2 MITERED EDGE

## KITCHEN - PLUMBING FIXTURES

ITEM	DESCRIPTION
	<p>32" DERIN FIRECLAY DUAL-MOUNT KITCHEN SINK - UNDERMOUNT - WHITE</p> <ul style="list-style-type: none"> <li>• Made of solid, heavy-duty fireclay.</li> <li>• Smooth, ripple-resistant surface.</li> </ul>
	<p>Edalyn™ by Studio McGee Two-hole bridge kitchen sink faucet with side sprayer K-28356-2MB Vibrant® Brushed Moderne Brass</p>
	<p>In-sink-erator Garbage Disposal ADVANCED SERIES PRO 750 with EZ Connect Cord</p>
	<p>JACLO Extra Deep Disposal Flange with Stopper Satin Brass Model #: 2819-SB</p>
	<p>Garbage disposal air switch kit K-35723-2MB Vibrant® Brushed Moderne Brass</p>

# DESIGN SELECTIONS

## KITCHEN - MATERIALS & FIXTURES

ITEM	DESCRIPTION
	Napa Home & Garden Morrison Pendant
	MONOGRAM 48" ALL GAS PROFESSIONAL RANGE WITH 6 BURNERS AND GRIDDLE ZGP486NDTSS (NATURAL GAS)
	Zephyr Ventilation AK9246BS 48" Monsoon I Insert
	MONOGRAM 1.2 CU. FT. DRAWER MICROWAVE ZWL1126SRSS
	Monogram Refrigeration ZIS480NNII 48" Panel-Ready Built-In Side-by-Side Refrigerator Panel ready
	Monogram Dishwasher ZDT925SINII 24" Panel-Ready Fully Integrated Dishwasher Panel ready

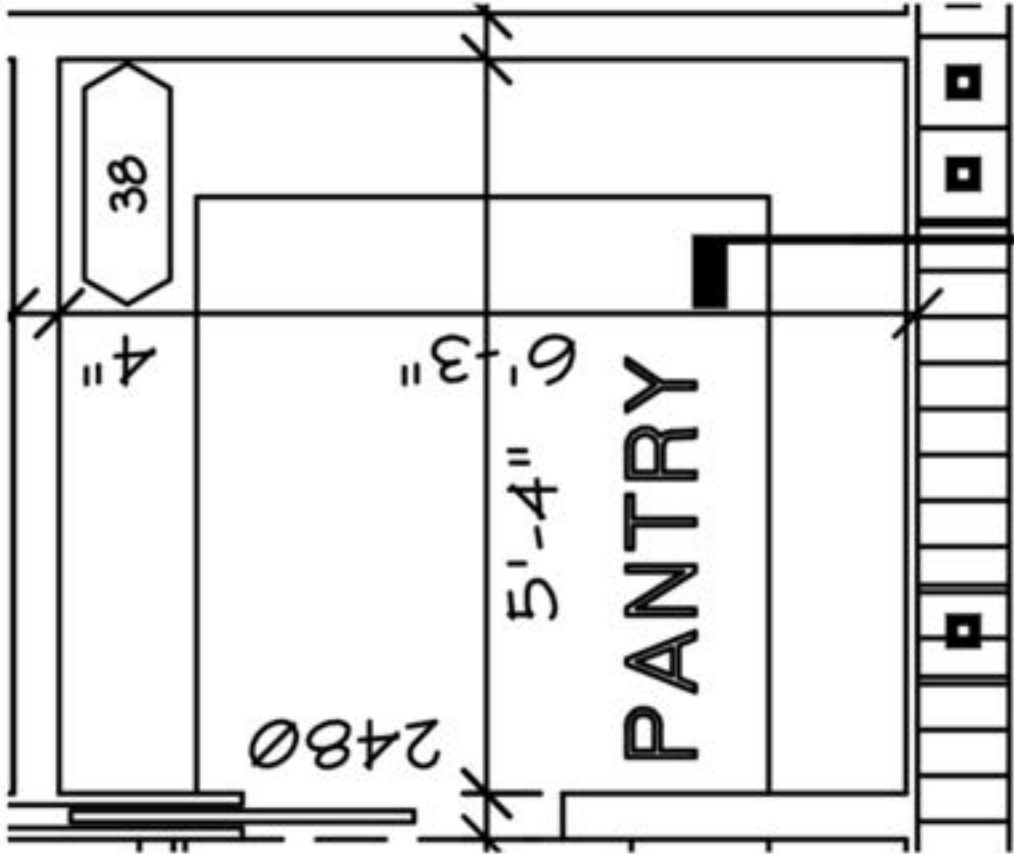
# DESIGN SELECTIONS

## PANTRY - RENDERINGS



NOTE: RENDERINGS ARE FOR PLANNING REFERENCE ONLY.  
ALL DIMENSIONS AND DETAILS SHOULD BE REVIEWED AND CONFIRMED ON SITE BEFORE COMPLETION.

PANTRY - FLOOR PLAN



NOTE: ELEVATIONS ARE FOR PLANNING REFERENCE ONLY.  
ALL DIMENSIONS AND LOCATIONS SHOULD BE REVIEWED AND CONFIRMED ON SITE BEFORE COMPLETION.

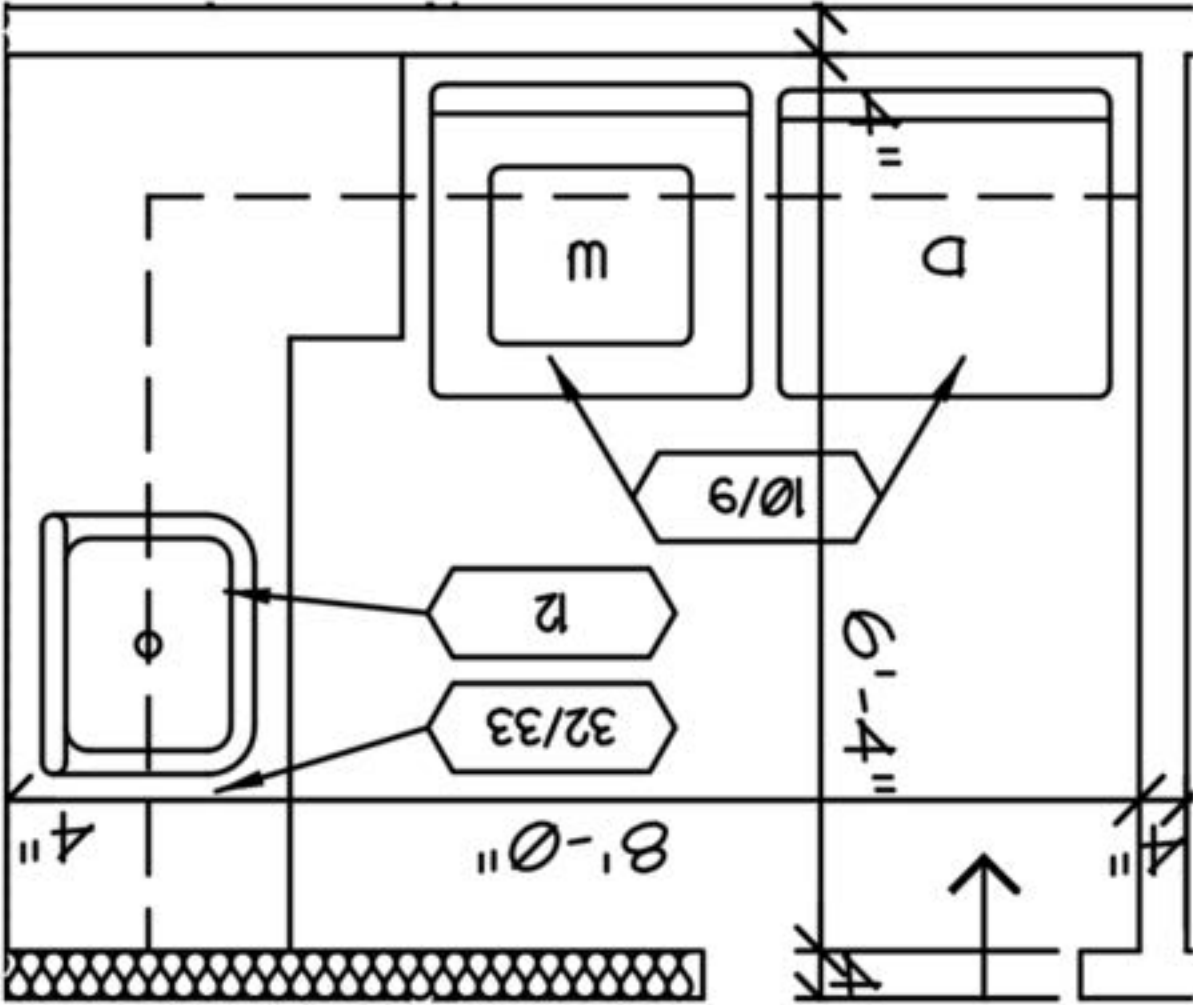
## LAUNDRY - RENDERING



NOTE: RENDERINGS ARE FOR PLANNING REFERENCE ONLY.  
ALL DIMENSIONS AND DETAILS SHOULD BE REVIEWED AND CONFIRMED ON SITE BEFORE COMPLETION.

# DESIGN SELECTIONS

## LAUNDRY - FLOOR PLAN



NOTE: ELEVATIONS ARE FOR PLANNING REFERENCE ONLY.  
ALL DIMENSIONS AND LOCATIONS SHOULD BE REVIEWED AND CONFIRMED ON SITE BEFORE COMPLETION.

# DESIGN SELECTIONS

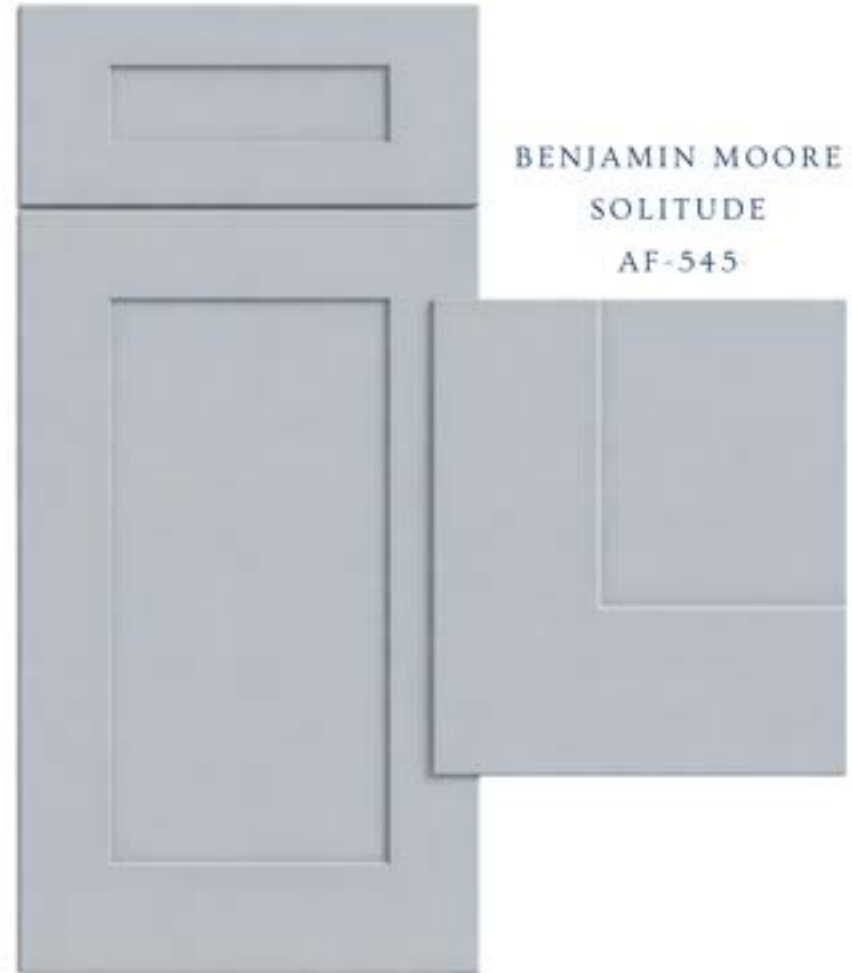
## LAUNDRY - DETAILS



COUNTERTOPS  
WHITE QUARTZ



TYPE OF EDGE  
1 1/4" MITERED EDGE



BENJAMIN MOORE  
SOLITUDE  
AF-545

DOVETAIL DRAWERS  
SOFT CLOSE HINGES AND GLIDES

ITEM	DESCRIPTION
	<p>RUVATI RVU6I25 UNDERMOUNT LAUNDRY SINK                      True 16 Gauge Thickness                      Premium T304 Grade Stainless Steel 18/10 Chromium/Nickel Content                      Commercial Brushed Finish</p>
	<p>Graze® Pull-down kitchen sink faucet with three-function sprayhead                      K-22062-SN Vibrant® Polished Nickel</p>
	<p>Electrolux Washer                      ELFW7738AW                      Front Load Perfect Steam™ Washer with LuxCare® Plus Wash                      and SmartBoost® - 4.5 Cu. Ft.</p>
	<p>Electrolux Dryer                      ELFE7738AW                      Front Load Perfect Steam™ Electric Dryer with Balanced Dry™                      and Instant Refresh - 8.0 Cu. Ft.</p>

# DESIGN SELECTIONS

## MASTER BATHROOM - RENDERINGS



NOTE: RENDERINGS ARE FOR PLANNING REFERENCE ONLY.  
ALL DIMENSIONS AND DETAILS SHOULD BE REVIEWED AND CONFIRMED ON SITE BEFORE COMPLETION.

# DESIGN SELECTIONS

## MASTER BATHROOM - RENDERINGS



NOTE: RENDERINGS ARE FOR PLANNING REFERENCE ONLY.  
ALL DIMENSIONS AND DETAILS SHOULD BE REVIEWED AND CONFIRMED ON SITE BEFORE COMPLETION.

# DESIGN SELECTIONS

## MASTER BATHROOM - INSPIRATION



NOTE: RENDERINGS ARE FOR PLANNING REFERENCE ONLY.  
ALL DIMENSIONS AND DETAILS SHOULD BE REVIEWED AND CONFIRMED ON SITE BEFORE COMPLETION.



# DESIGN SELECTIONS

## MASTER BATHROOM - COUNTERTOPS & VANITY



COUNTERTOPS  
MYSTERY WHITE  
QUARTZ



TYPE OF EDGE  
1 1/2 MITERED EDGE



PETIT OAK  
SHAKER CABINETS

DOVETAIL DRAWERS  
SOFT CLOSE HINGES AND GLIDES

# DESIGN SELECTIONS

## MASTER BATHROOM - SHOWER

SHOWER WALLS



12X24X3/8  
SAVANNAH  
DOLOMITE  
HONED

NICHE



11.8X9.2X3/8 FAIRFAX  
DOLOMITE AND  
WHITEWOOD MARBLE  
MOSAIC

SHOWER FLOOR



12X12X3/8 DOLOMITE  
PICKET MARBLE  
MOSAIC HONED

# DESIGN SELECTIONS

## MASTER BATHROOM - SHOWER

DRY FLOOR



12X24X3/8  
SAVANNAH  
DOLOMITE  
HONED

TUB WALL ACCENT



19X10.1X3/8  
BOTTICINO PEACOCK  
MARBLE MOSAIC

# DESIGN SELECTIONS

## MASTER BATHROOM - FIXTURES & PLUMBING

ITEM	DESCRIPTION
	<p>WHITE 64" WINIFRED SOLID SURFACE FREESTANDING TUB. Water Capacity 71 Gal. Water Depth to Overflow: 15-1/2" SKU: 306468 Code: SH306468</p>
	<p>ROHL Modelle™ Single Hole Floor Mount Tub Filler Trim MODELS: TMD06HFILMPN Polished Nickel</p>
	<p>WHITE KOHLER Ladena® Rectangular undermount bathroom sink K-2214-O</p>
	<p>ROHL Modelle™ Widespread Lavatory Faucet With C-Spout MODELS: MD08D3LMPN Polished Nickel</p>
	<p>ROHL Modelle™ Modelle™ Toilet Paper Holder MODELS: MD25WTPPN Polished Nickel</p>

# DESIGN SELECTIONS

## MASTER BATHROOM - FIXTURES & PLUMBING

ITEM	DESCRIPTION
	<p>ROHL Modelle™ 3/4" Thermostatic Trim MODELS: TMD13WILMPN Polished Nickel</p>
	<p>ROHL Modelle™ Trim For Volume Control And Diverter MODELS: TMD18WILMPN Polished Nickel</p>
	<p>KOHLER Purist® Three-function showerhead, 2.5 gpm K-22170-SN Vibrant® Polished Nickel</p>
	<p>ROHL 1440/8PN 8" Shower Arm Polished Nickel</p>
	<p>ROHL Modelle™ Modelle™ 24" Towel Bar MODELS: MD25WTB24PN Polished Nickel</p>





# DESIGN SELECTIONS

## MASTER BATHROOM - FIXTURES & PLUMBING

ITEM	DESCRIPTION
	<p>KOHLER Purist® Four-function handshower, 2.5 gpm K-22166-SN Vibrant® Polished Nickel</p>
	<p>ROHL Handshower Outlet With Holder MODEL: CD8000PN Polished Nickel</p>
	<p>ROHL 59" Metal Shower Hose MODEL: 16295PN</p>
	<p>ID Ininity Drain S-TIF 6560 - 60" Complete Kit</p>

# DESIGN SELECTIONS

## MASTER BATHROOM - FIXTURES & PLUMBING

ITEM	DESCRIPTION
	White Memoirs® Stately Two-piece Comfort Height®, elongated bowl with concealed trapway, 1.28 gpf K-6669-O
	White Glenbury™ ReadyLatch® Quiet-Close™ elongated toilet seat K-4733-RL-O
	Memoirs® Trip Lever K-9167-L-SN Vibrant® Polished Nickel
	ROHL Modelle™ Modelle™ Toilet Paper Holder MODELS: MD25WTTPN Polished Nickel

# DESIGN SELECTIONS

## POWDER ROOM - RENDERING



NOTE: RENDERINGS ARE FOR PLANNING REFERENCE ONLY.  
ALL DIMENSIONS AND DETAILS SHOULD BE REVIEWED AND CONFIRMED ON SITE BEFORE COMPLETION.

# DESIGN SELECTIONS

## POWDER ROOM - COUNTERTOPS & VANITY



COUNTERTOPS  
WHITE QUARTZ



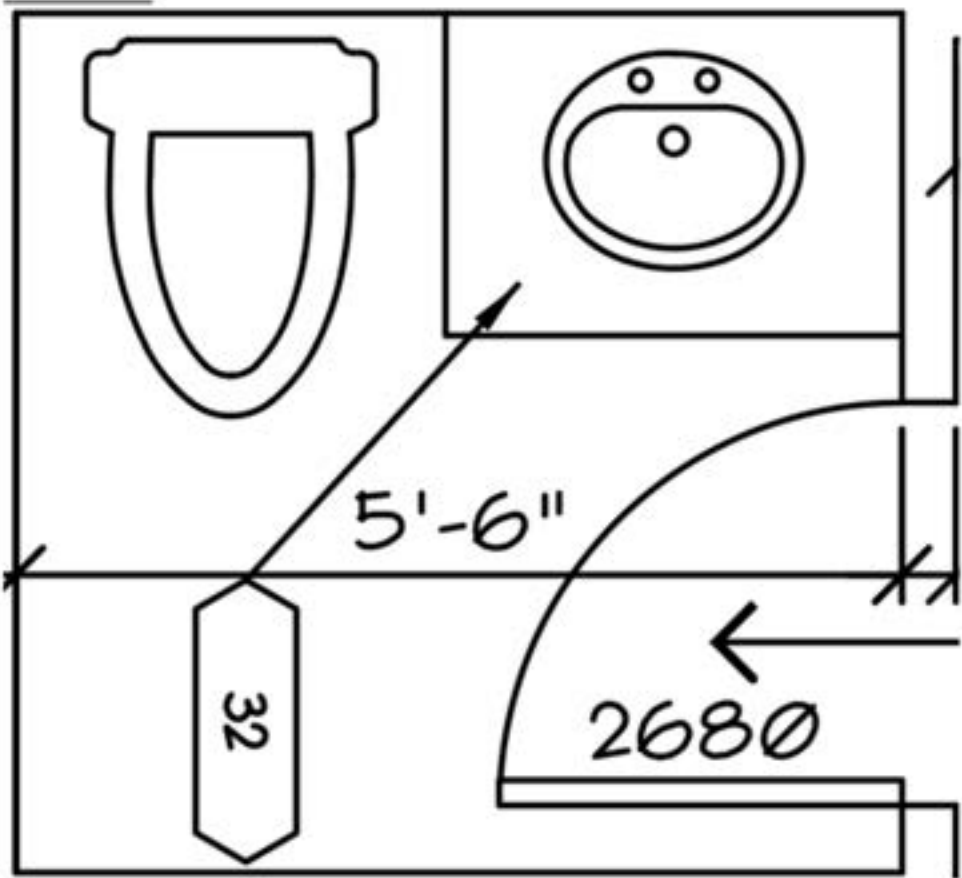
TYPE OF EDGE  
1 1/4" MITERED EDGE



PREFAB VANITY






POWDER ROOM - DETAILS

FLOOR PLAN



# DESIGN SELECTIONS

## POWDER ROOM - FIXTURES & PLUMBING

ITEM	DESCRIPTION
	<p>White KOHLER Memoirs® Stately Two-piece Comfort Height®, elongated bowl with concealed trapway, 1.28 gpf K-6669-0</p>
	<p>White KOHLER Caxton® oval undermount bathroom sink K-2210-0</p>
	<p>DELTA BATHROOM FAUCET Kayra™ Collection Single Handle Deck Mount Vibrant® Brushed Moderne Brass</p>
	<p>DELTA ACCESSORIES Kayra® Bath Collection Pivoting Tissue Holder Vibrant® Brushed Moderne Brass</p>
	<p>DELTA ACCESSORIES Kayra® Bath Collection 8" Towel Bar Vibrant® Brushed Moderne Brass</p>

# DESIGN SELECTIONS

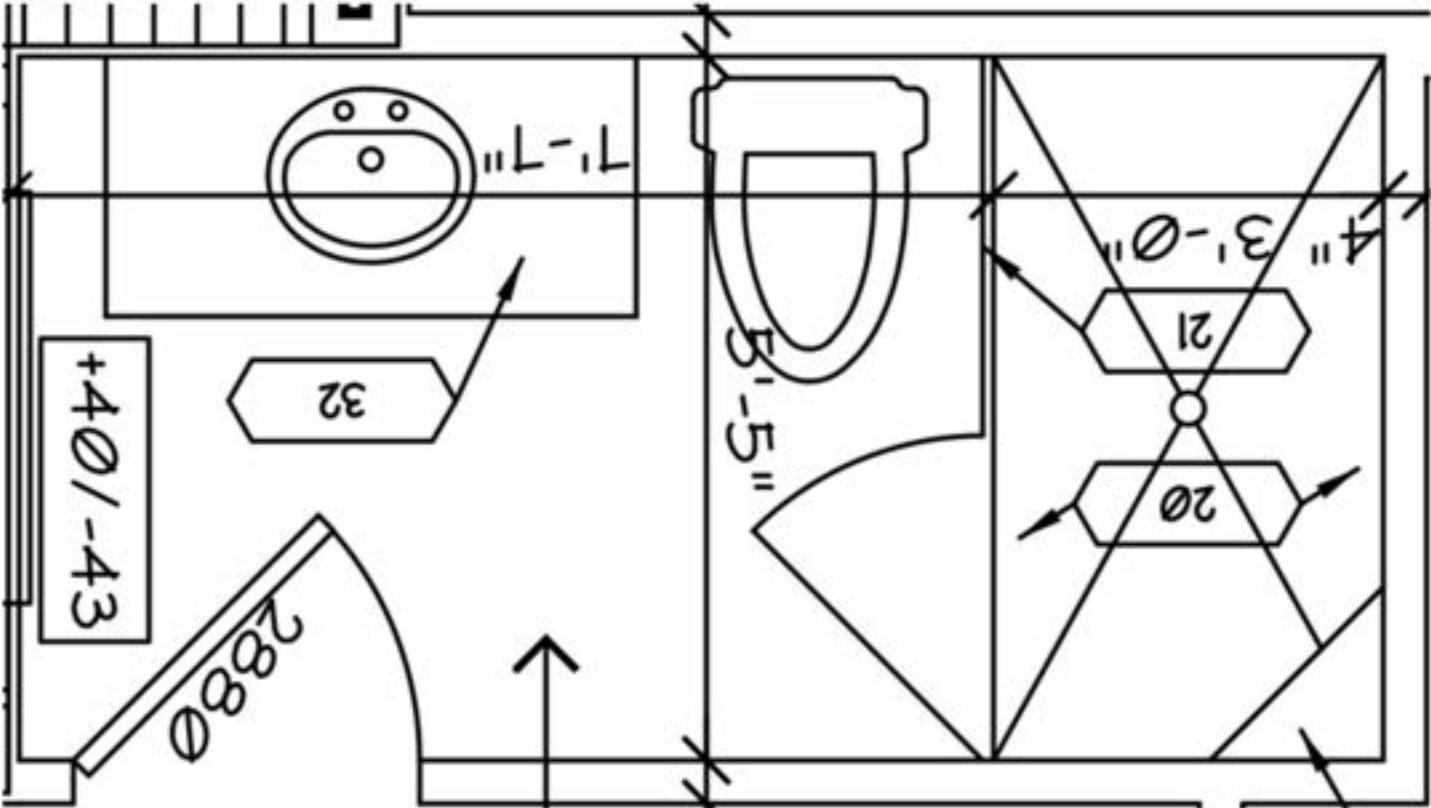
## GUEST BATH 1 - RENDERING



NOTE: RENDERINGS ARE FOR PLANNING REFERENCE ONLY.  
ALL DIMENSIONS AND DETAILS SHOULD BE REVIEWED AND CONFIRMED ON SITE BEFORE COMPLETION.

GUEST BATH 1 - DETAILS

FLOOR PLAN



# DESIGN SELECTIONS

## GUEST BATH 1 - DETAILS

SHOWER WALLS



24X48X3/8  
TAJ MAHAL LOOK  
PORCELAIN MATTE

WET FLOOR TILE



12X12X3/8  
SPRING CALACATTA  
ELONGATED HEXAGON  
MARBLE MOSAIC HONED

NICHE TILE



12X12X3/8  
SPRING CALACATTA  
HERRINGBONE MARBLE  
MOSAIC HONED

DRY FLOOR TILE



12X24X3/8  
TAJ MAHAL LOOK  
PORCELAIN MATTE



NICHE IS WIDTH OF THE SHOWER.

# DESIGN SELECTIONS

## GUEST BATH 1 - COUNTERTOPS & VANITY



COUNTERTOPS  
WHITE QUARTZ



TYPE OF EDGE  
1 1/2 MITERED EDGE



BENJAMIN MOORE  
WHITE DOVE  
OC-17

DOVETAIL DRAWERS  
SOFT CLOSE HINGES AND GLIDES

# DESIGN SELECTIONS

## GUEST BATH 1 - FIXTURES & PLUMBING

ITEM	DESCRIPTION
	<p>White KOHLER Memoirs® Stately Two-piece Comfort Height®, elongated bowl with concealed trapway, 1.28 gpf K-6669-0</p>
	<p>White KOHLER Caxton® Rectangle Under-mount Bathroom Sink K-20000-0</p>
	<p>GREYFIELD WIDESPREAD LOW ANGLED BATHROOM FAUCETSKU: 955228 Code: SHWSCGF808PN Polished Nickel</p>
	<p>GREYFIELD TOILET PAPER HOLDER SKU: 948295 Code: SHGFTHPN Polished Nickel</p>
	<p>GREYFIELD TOWEL BAR SKU: 948292 SHGF24TBPN Polished Nickel</p>

# DESIGN SELECTIONS

## GUEST BATH 1 - FIXTURES & PLUMBING

ITEM	DESCRIPTION
	<p>GREYFIELD PRESSURE BALANCE SHOWER VALVE SKU: 948890 Code: SHGF8010PN, SH4001 Polished Nickel</p>
	<p>6" ROUND MULTIFUNCTION 2.5 GPM SHOWER HEAD SKU: 955102-25 Code: SH441154PN Polished Nickel</p>
	<p>6" STANDARD SHOWER ARM SKU: 948961 Code: SHSK82PN Polished Nickel</p>
	<p>KOHLER ClearFlo™ Clearflo Tile-in Shower Drain K-9136-SN Vibrant® Polished Nickel</p>

# DESIGN SELECTIONS

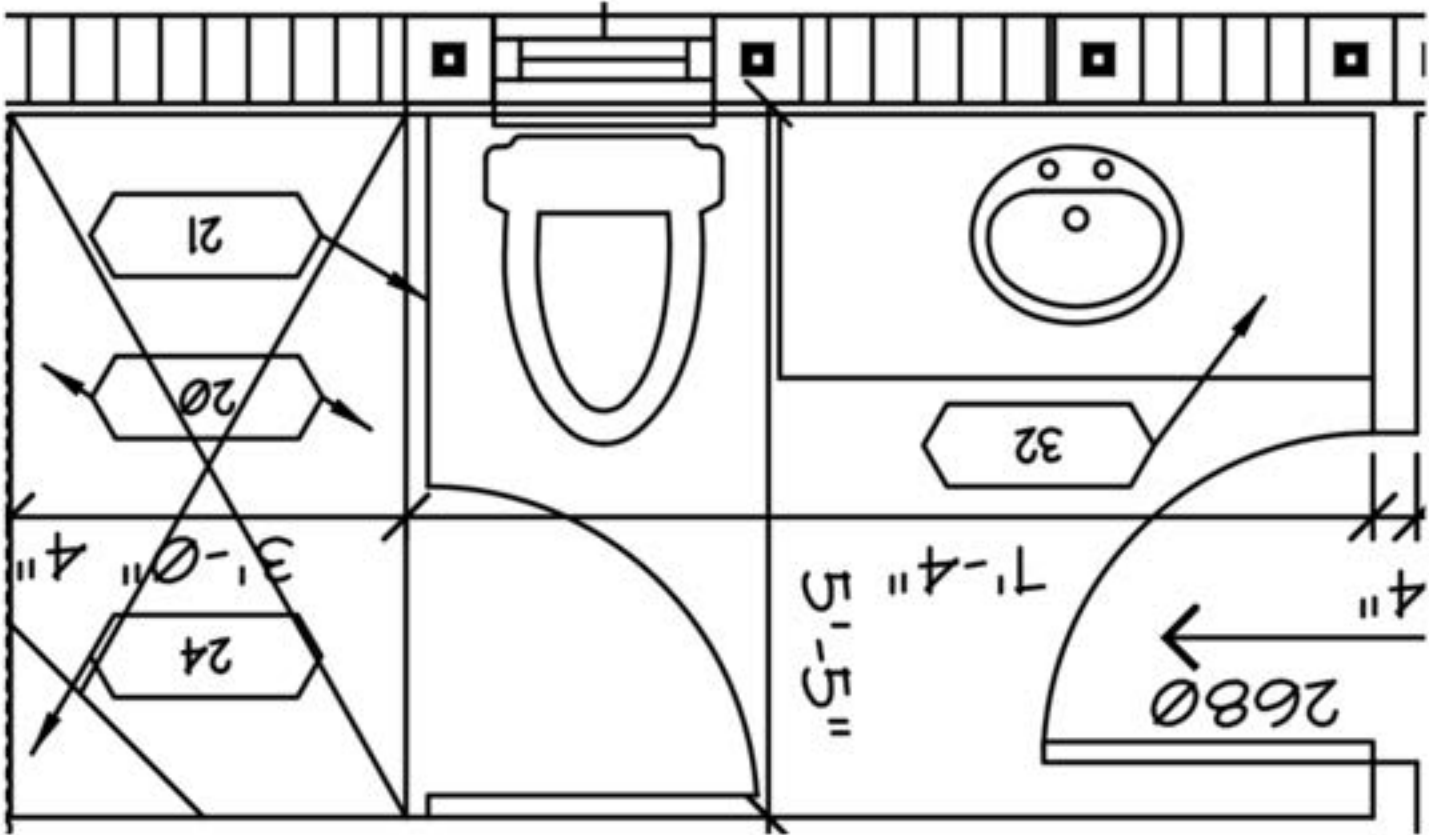
## GUEST BATH 2 - RENDERING



NOTE: RENDERINGS ARE FOR PLANNING REFERENCE ONLY.  
ALL DIMENSIONS AND DETAILS SHOULD BE REVIEWED AND CONFIRMED ON SITE BEFORE COMPLETION.

GUEST BATH 2 - DETAILS

FLOOR PLAN



# DESIGN SELECTIONS

## GUEST BATH 2 - DETAILS

SHOWER WALLS



12X24X3/8 WHITE  
PORCELAIN MATTE

DRY FLOOR TILE



12X24X3/8  
DOLOMITE LOOK PORCELAIN MATTE

WET FLOOR



11.5X11.9X3/8  
BLUE CELESTE 2'  
CIRCLES MARBLE MOSAIC

NICHE



7.6X7.6X3/8  
THASSOS AND BLUE CELESTE  
MOSCOW PETITE MARBLE MOSAIC



NICHE IS WIDTH OF THE SHOWER

# DESIGN SELECTIONS

## GUEST BATH 2 - COUNTERTOPS & VANITY



COUNTERTOPS  
WHITE QUARTZ



TYPE OF EDGE  
1 1/2 MITERED EDGE



BENJAMIN MOORE  
MANOR BLUE  
1627

DOVETAIL DRAWERS  
SOFT CLOSE HINGES AND GLIDES

# DESIGN SELECTIONS

## GUEST BATH 2 - FIXTURES & PLUMBING

ITEM	DESCRIPTION
	<p>Visual Comfort Bryant 15" Tall LED Bathroom Sconce with White Glass Shade Model: TOB 2039PN-WG-CL Item: bci5168883</p>
	<p>White KOHLER Memoirs® Stately Two-piece Comfort Height®, elongated bowl with concealed trapway, 1.28 gpf K-6669-0</p>
	<p>White KOHLER Caxton® Rectangle Under-mount Bathroom Sink K-20000-0</p>
	<p>GREYFIELD WIDESPREAD LOW ANGLED BATHROOM FAUCETSKU: 955228 Code: SHWSCGF808PN Polished Nickel</p>
	<p>GREYFIELD TOILET PAPER HOLDER SKU: 948295 Code: SHGFTHPN Polished Nickel</p>
	<p>GREYFIELD TOWEL BAR SKU: 948292 SHGF24TBPN Polished Nickel</p>

# DESIGN SELECTIONS

## GUEST BATH 2 - FIXTURES & PLUMBING

ITEM	DESCRIPTION
	<p>GREYFIELD PRESSURE BALANCE SHOWER VALVE SKU: 948890 Code: SHGF80IOPN, SH4001 Polished Nickel</p>
	<p>6" ROUND MULTIFUNCTION 2.5 GPM SHOWER HEAD SKU: 955102-25 Code: SH441154PN Polished Nickel</p>
	<p>6" STANDARD SHOWER ARM SKU: 948961 Code: SHSK82PN Polished Nickel</p>
	<p>KOHLER ClearFlo™ Clearflo Tile-in Shower Drain K-9136-SN Vibrant® Polished Nickel</p>

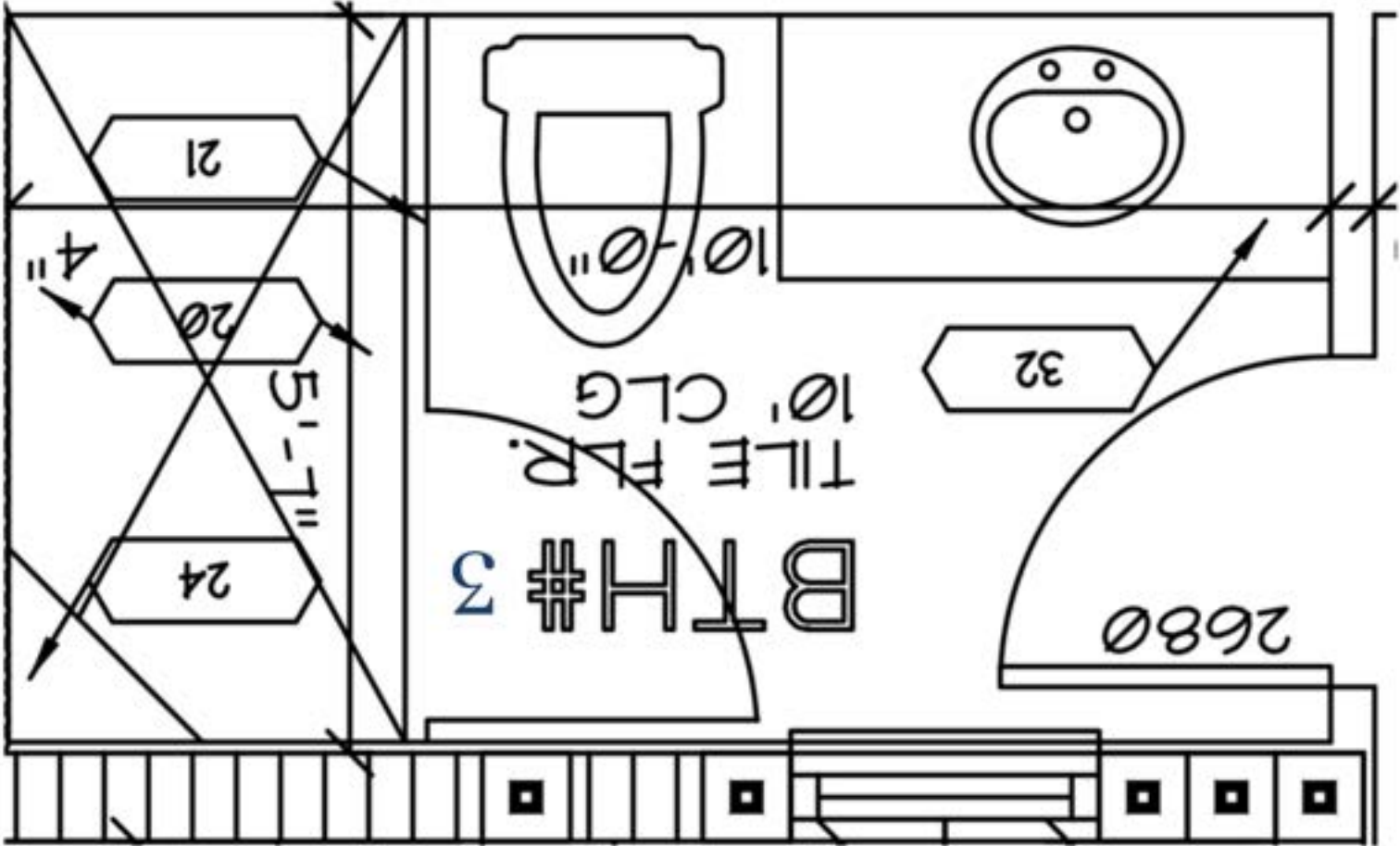
## GUEST BATH 3 - RENDERING



NOTE: RENDERINGS ARE FOR PLANNING REFERENCE ONLY.  
ALL DIMENSIONS AND DETAILS SHOULD BE REVIEWED AND CONFIRMED ON SITE BEFORE COMPLETION.

GUEST BATH 3 - DETAILS

FLOOR PLAN



# DESIGN SELECTIONS

## GUEST BATH 3 - DETAILS

### SHOWER WALLS



12X24X3/8  
CREAM DOLOMITE  
LOOK PORCELAIN

### WET FLOOR



12.5X15X3/8  
VANILLA MARBLE  
BROKEN JOINT MARBLE MOSAIC

### NICHE



12X24X3/8  
CREAM DOLOMITE  
LOOK PORCELAIN

### DRY FLOOR



12X24X3/8  
CREAM DOLOMITE  
LOOK PORCELAIN



0.5X8X3/8  
CREAM HANDMADE  
LOOK JOLLY GLOSSY

# DESIGN SELECTIONS

## GUEST BATH 3 - COUNTERTOPS & TILE



COUNTERTOPS  
WHITE QUARTZ



TYPE OF EDGE  
1 1/2 MITERED EDGE



BENJAMIN MOORE  
WHITE DOVE  
OC-17

DOVETAIL DRAWERS  
SOFT CLOSE HINGES AND GLIDES

# DESIGN SELECTIONS

## GUEST BATH 3 - FIXTURES & PLUMBING

ITEM	DESCRIPTION
	<p>AERIN Belmont Medium Tail Sconce ARN 2301WHT-L</p>
	<p>White KOHLER Memoirs® Stately Two-piece Comfort Height®, elongated bowl with concealed trapway, 1.28 gpf K-6669-O</p>
	<p>White KOHLER Caxton® Rectangle Under-mount Bathroom Sink K-20000-O</p>
	<p>GREYFIELD WIDESPREAD LOW ANGLED SKU: 955228 Code: SHWSCGF808BG Polished Brass</p>
	<p>GREYFIELD TOILET PAPER HOLDER SKU: 948295 Code: SHGFTHBG Polished Brass</p>
	<p>GREYFIELD TOWEL BAR SKU: 948295 SHGFTH Polished Brass</p>

# DESIGN SELECTIONS

## GUEST BATH 3 - FIXTURES & PLUMBING

ITEM	DESCRIPTION
	<p>GREYFIELD PRESSURE BALANCE SHOWER VALVE SKU: 948890 Code: SHGF8010BG, SH4001 Brass</p>
	<p>6" ROUND MULTIFUNCTION 2.5 GPM SHOWER HEAD SKU: 955102-25 Code: SH441154BG Brass</p>
	<p>6" ROUND MULTIFUNCTION 2.5 GPM SHOWER HEAD SKU: 955102-25 Code: SH441154BG Brass</p>
	<p>KOHLER ClearFlo™ Clearflo Tile-in Shower Drain K-9136-PB Vibrant® Polished Brass</p>

# DESIGN SELECTIONS

## OFFICE - RENDERING



NOTE: RENDERINGS ARE FOR PLANNING REFERENCE ONLY.  
ALL DIMENSIONS AND DETAILS SHOULD BE REVIEWED AND CONFIRMED ON SITE BEFORE COMPLETION.

# DESIGN SELECTIONS

## MASTER BEDROOM - RENDERING



NOTE: RENDERINGS ARE FOR PLANNING REFERENCE ONLY.  
ALL DIMENSIONS AND DETAILS SHOULD BE REVIEWED AND CONFIRMED ON SITE BEFORE COMPLETION.

# DESIGN SELECTIONS

## GUEST BEDROOM 1 - RENDERING



NOTE: RENDERINGS ARE FOR PLANNING REFERENCE ONLY.  
ALL DIMENSIONS AND DETAILS SHOULD BE REVIEWED AND CONFIRMED ON SITE BEFORE COMPLETION.

# DESIGN SELECTIONS

## GUEST BEDROOM 2 - RENDERING



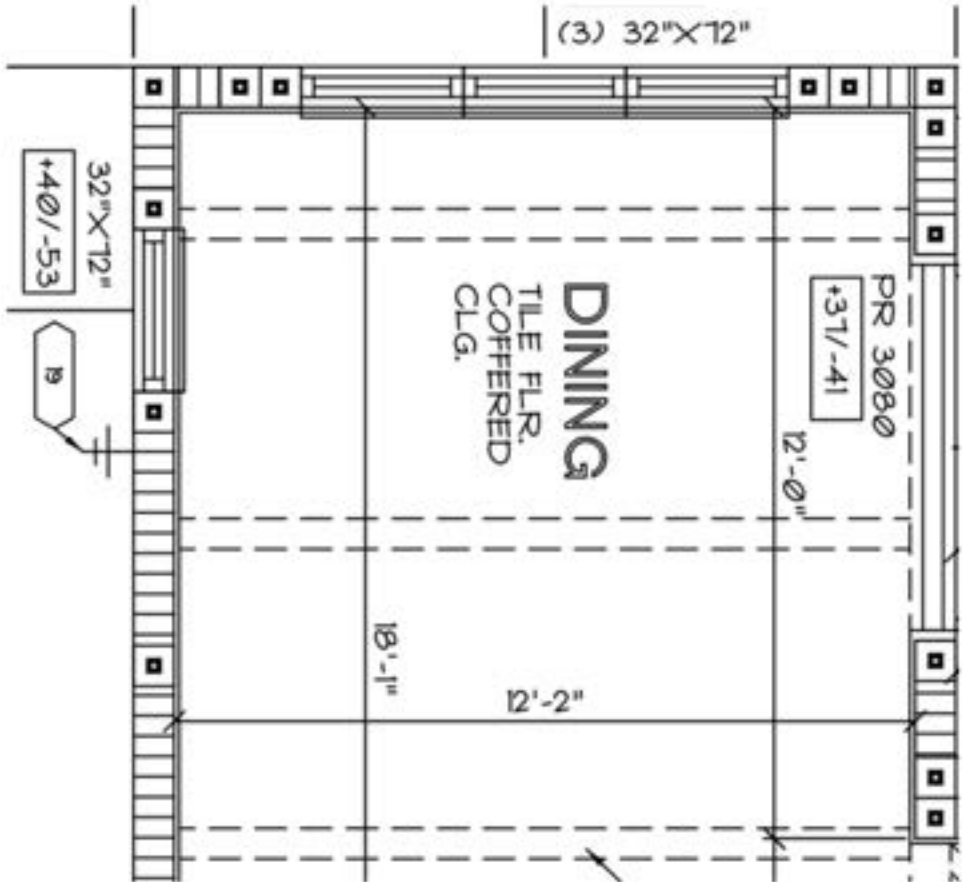
NOTE: RENDERINGS ARE FOR PLANNING REFERENCE ONLY.  
ALL DIMENSIONS AND DETAILS SHOULD BE REVIEWED AND CONFIRMED ON SITE BEFORE COMPLETION.



NOTE: RENDERINGS ARE FOR PLANNING REFERENCE ONLY.  
ALL DIMENSIONS AND DETAILS SHOULD BE REVIEWED AND CONFIRMED ON SITE BEFORE COMPLETION.

# DESIGN SELECTIONS

## DINING ROOM - FLOOR PLAN



NOTE: RENDERINGS ARE FOR PLANNING REFERENCE ONLY.  
ALL DIMENSIONS AND DETAILS SHOULD BE REVIEWED AND CONFIRMED ON SITE BEFORE COMPLETION.



NOTE: RENDERINGS ARE FOR PLANNING REFERENCE ONLY.  
ALL DIMENSIONS AND DETAILS SHOULD BE REVIEWED AND CONFIRMED ON SITE BEFORE COMPLETION.

# DESIGN SELECTIONS

## GREAT ROOM - FIXTURES & LIGHTING

ITEM	DESCRIPTION	LOCATION NOTES
	<p>Crystorama Lighting Group Shyla 10 Light 24" Wide Drum Chandelier Model: SHY-10907-SG Item: bci4658238</p>	<p>Great Room</p>
	<p>Seychelles Coco Chandelier Soft White by Palecek 44" x 26"</p>	<p>Foyer</p>
	<p>Paynes Gray Ro Sham Beaux Malibu 24" x 30" White Swirl Semi Flush Mount</p>	<p>Dining Room</p>
	<p>Pottery Barn Bristol Wood Bead Chandelier (30") SKU: 7225549</p>	<p>Master Bedroom</p>



NOTE: RENDERINGS ARE FOR PLANNING REFERENCE ONLY.  
ALL DIMENSIONS AND DETAILS SHOULD BE REVIEWED AND CONFIRMED ON SITE BEFORE COMPLETION.

# DESIGN SELECTIONS

## DRY BAR - DETAILS



COUNTERTOPS  
MYSTERY WHITE  
QUARTZ

TYPE OF EDGE  
1 1/2 MITERED EDGE



BACKSPLASH  
4X4X.6  
ZELLIGE NACRE



PETIT OAK  
SHAKER CABINETS  
DOVETAIL DRAWERS  
SOFT CLOSE HINGES  
AND GLIDES



ELICA REFRIGERATION  
EWS52PR1  
DUAL ZONE WINE  
CELLAR FRIDGE  
PANEL READY

# DESIGN SELECTIONS

## SELECTIONS AND PERSONALIZATION

Selections for this residence have been thoughtfully curated within a predefined design allowance, reflecting a cohesive and elevated luxury aesthetic. Buyers will have the opportunity to personalize and upgrade some finishes, materials, and features beyond the established allowance, with any enhancements priced separately.

Builder reserves the right to substitute materials, products, or equipment of equal or greater quality for those specified in the plans or specifications, due to availability or unforeseen design improvements.

